

L03-Model C€

- Permanent magnet motor
- Planetary gearbox
- Acme lead screw or ballscrew (VRS)
- Chrome plated steel push rod
- Permanent grease lubrication
- IP 65, tested according to rule CEI EN 60529
- Working temperature range -10°C +60°C
- Intermittent duty S3 30% (5 min) a 30°C*
- Limit switches on request
- Encoder on request

(*) For any special duty please contact our technical dept.

L03 (Vdc)						
<i>Fmax</i> (N)	<i>Speed</i> (mm/s)	<i>Version</i>	<i>Motor size</i>	<i>Motor power</i> (KW)	<i>Motor speed</i> (rpm)	<i>Max Current</i> <i>for F max(A)</i> 24Vdc
3000	20	M01	51	-	155	11
5000	10	M02	51	-	155	10
2000	30	M03	51	-	155	10,2

**

L03-VRS (Vdc) ballscrew						
<i>Fmax</i> (N)	<i>Speed</i> (mm/s)	<i>Version</i>	<i>Motor size</i>	<i>Motor power</i> (KW)	<i>Motor speed</i> (rpm)	<i>Max Current</i> <i>for F max(A)</i> 24Vdc
5000	13	M01	51	-	155	2,9

**

When strokes are longer than 350mm, check STROKE SETUP section.

** For 12 Vdc power supply currents are doubled and loads are 20% lower.

BEFORE OPERATING ACTUATOR MAKE SURE YOU READ AND UNDERSTOOD BASIC OPERATIONAL INSTRUCTIONS SHOWN ON USERMANUALS, AVAILABLE FROM WEBSITE.

THIS DOCUMENT DISPLAYS MOST TYPICAL STANDARD FEATURES AND SETUPS: CONTACT OUR OFFICES FOR MORE.

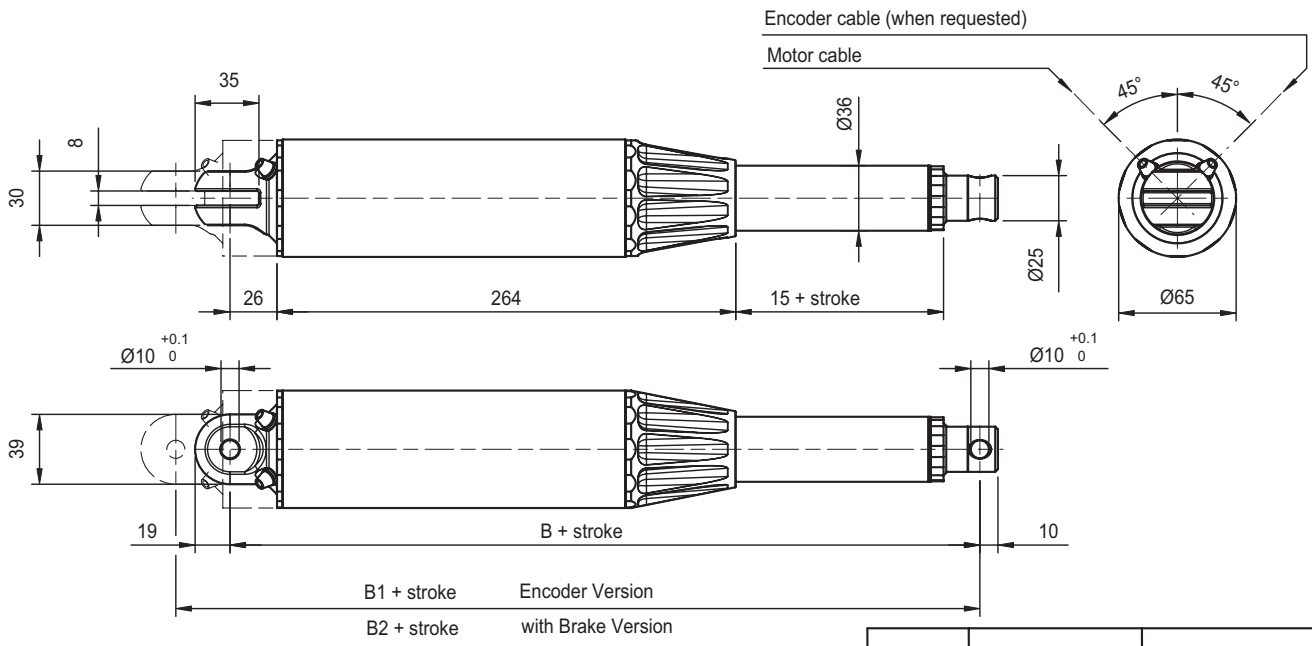
ACTUATOR SHALL NOT COME TO **MECHANICAL STROKE-END**, TO **AVOID FAILURES**.

CONSIDER MECVEL's LIMITSWITCHES (MODEL L03-F or L03-FCM) OR PUT THEM ON MACHINE/FRAME.



MecVel reserves the right to change products information and/or features without notice; all data contained in this catalogue are purely indicative and not binding for the company.

L03 Version without Limitswitches



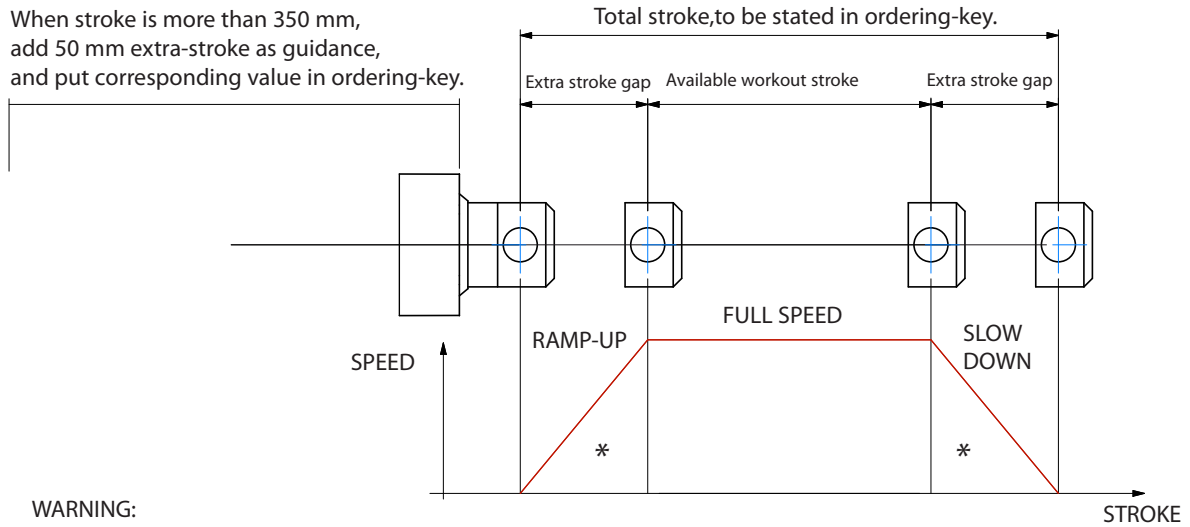
	DIMENSION	Stroke < to 320 mm.	Stroke > to 320 mm.
Version without Encoder and Brake	B	325 + stroke	336 + stroke
Version without Encoder	B1	355 + stroke	366 + stroke
Version without Brake	B2	355 + stroke	366 + stroke

For VRS and FCM versions see page 64.

VERSION WITH BRAKE IS not compatible with VERSION WITH ENCODER

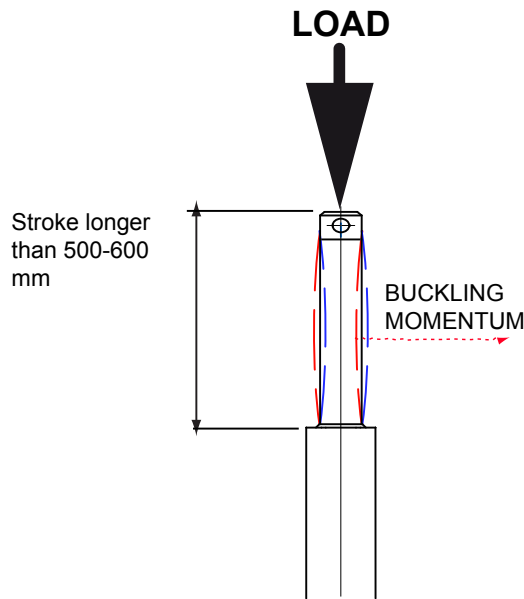
STROKE SETUP: Useful tips for handling stroke and avoid run-on-block collision.

When stroke is more than 350 mm, add 50 mm extra-stroke as guidance, and put corresponding value in ordering-key.



WARNING:
SPEED-TIMING ALONG STROKELENGTH:
 ramps are extremely important with high speed !!! Inverter or PWM drive recommended!
 * The more speed raises the more extra stroke has to raise too.

BUCKLING: When stroke is longer than 500mm, BUCKLING can be a risk: please check mounting with our offices and/or see user-manuals.



IMPORTANT:
 Long strokes, even if load is low, can generate significant buckling momentums, as sketch slows.
 This happens when actuator is in its all-opened position: that's the reason why we recommend 100 mm extra-stroke.
 Pushtube will have this 100 mm-portion always inside the overtube, improving guidance against buckling.
 For more information on this, contact our office.

ORDERING KEY

L03 / 0250 / M01 / 24 / 2FCM0 / E10 / P1 / A1

MODEL: _____
 L03 L03-FCM L03-VRS

STROKE: _____
 es. 250 mm = 0250
 min 50; with 50 as incremental

VERSION: (Pag.61) _____
 M00 = Not standard speed

MOTOR: (Pag. ACCESSORIES) _____
 12 = 12 Vcc
 24 = 24 Vcc

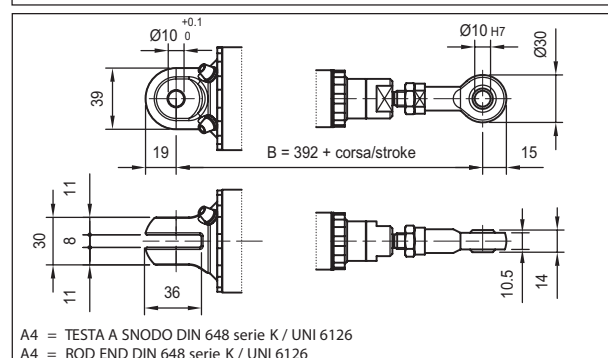
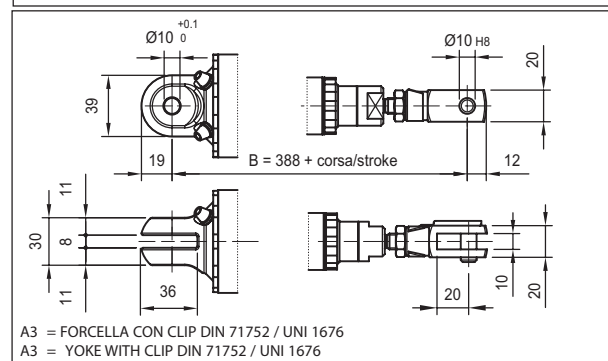
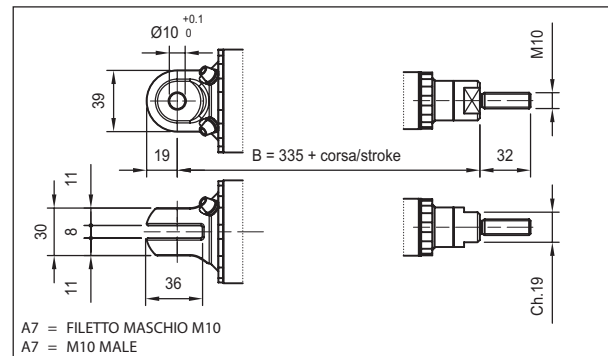
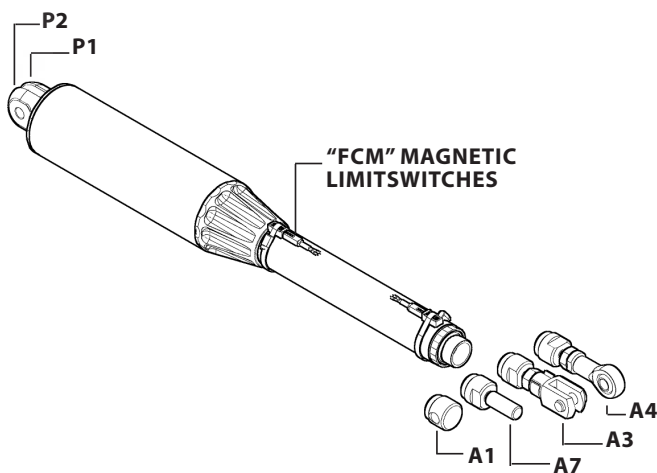
LIMIT SWITCHES: (Pag. ACCESSORIES) _____
 None: Leave blank

ENCODER: (Pag. ACCESSORIES) _____
 E50: Encoder 2 channel 4 ppr NPN (open Collector)

REAR END: _____
 P1 = Yoke (standard)
 P2 = Special (provide drawing)

FRONT END: _____
 A1 = Eyelet (Std pag.62)
 A3 = Yoke + Clip
 A4 = Rod end
 A7 = M10 male

NOTE: COMPLETE THE ORDERING KEY ADDING THE OPTIONS YOU CAN FIND IN THE "ACCESSORIES AND OPTIONS" SECTION



Note: "B" dimension changes according to model
Note: With encoder, dimension "B" is 30 mm longer
 L03 = See pictures - L03 stroke > 320 mm = + 11 mm
 L03-FCM = + 34 mm - L03-FCM stroke > 320 mm = + 44 mm
 with safety nut "G" = + 30mm
 L03-VRS = + 40 mm