

**SYSTEM
PLAST™**



TOP TRAC

**SYSTEM PLAST
NEW CURVE CONCEPT**



SYSTEM PLAST NEW CURVE CONCEPT

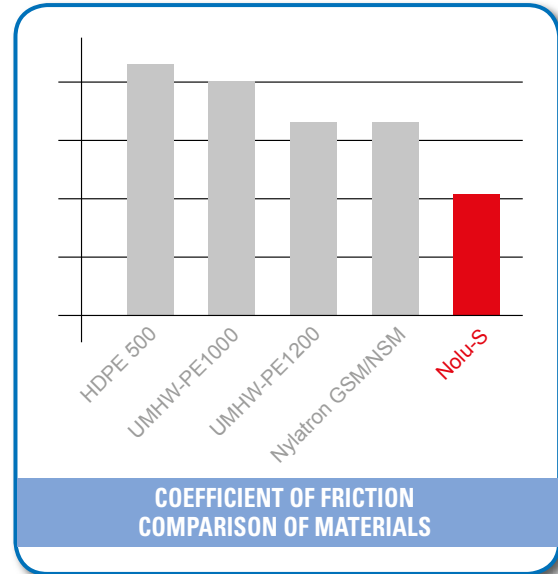
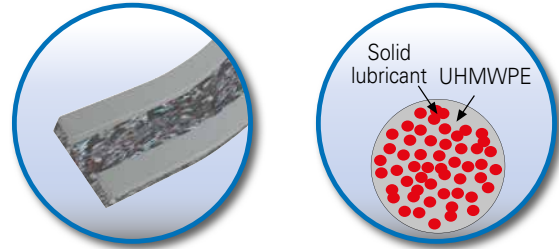
NOLU[®]-S PERFORMANCE:

- High speed and load possible in dry applications.
- Nolu-S curve performance at lower cost.
- Better temperature stability.
- Easy cleaning.

Nolu-S material is a unique compound of UHMWPE and a solid lubricant. It drastically reduces the coefficient of friction, maintaining the characteristics of UHMWPE. Nolu-S has a better thermal conductivity compared with UHMWPE.

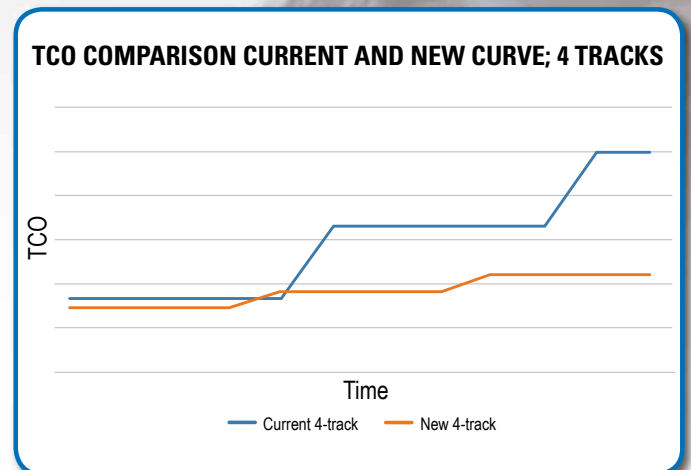
BENEFITS AND FEATURES

- Nolu-S makes very high speeds possible, especially when running dry.
- Nolu-S has an extremely low coefficient of friction.
- Nolu-S reduces noise and squeaking.
- Nolu-S reduces chain pull.
- Nolu-S extends the life of the chain.
- Nolu-S does not damage and scratch the surface of PET.
- Nolu-S reduces the consumption of energy.
- Nolu-S is a UHMWPE with a solid lubricant.
- Nolu-SR is Nolu-S with improved wear resistance.



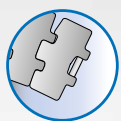
IMPROVES TOTAL COST OF OWNERSHIP

- Use high grade material only there where required. The base plate is made of basic material. Strips are made with Nolu-SR.
- When after some years of use, the curve is due for replacement, only the strips need replacing. Cost of strips is much lower than the cost of an entire curve upperpart.
- Replacing the strips can be done with the curve still mounted in the conveyor. This drastically reduces the required time for replacement. Maintenance becomes quicker and easier.
- Reduces the need of high value spare parts. Just a few strips are enough to be well prepared for maintenance jobs.

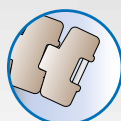


TOP TRAC

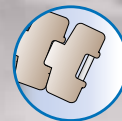
1. NOLU[®]-S PERFORMANCE
2. OPTIMIZED MAGNETIC FIELD
3. CLIP-ON PROFILES
4. INITIAL AND OPERATIONAL COST SAVINGS



For stainless steel
magnetic chains
type:
881 M - 881 MO



For plastic
magnetic chains
type:
879 M - 880 M



For sideflexing
chainbelts
type:
2250 M - 2260M



For sideflexing
chainbelts
type:
2251 M

SYSTEM PLAST NEW CURVE CONCEPT

CLIP-ON PROFILES

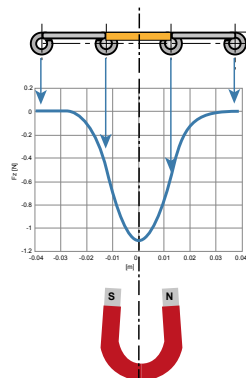
- Replaceable tracks in Nolu-SR without removing curves from the conveyor.
- Reduced maintenance and installation costs.
- Independent maintenance for each track.



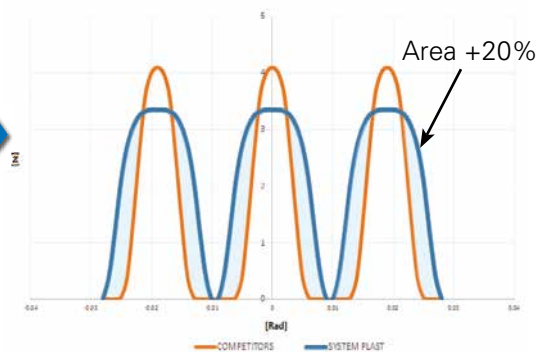
OPTIMIZED MAGNETIC FIELD

- Smoother chain operation and reduced risk of stick-slip effect.
- Optimized and homogeneous magnetic field.
- Improved engineered design.
- Better product stability.

MAGNET FORCE



MAGNETIC FIELD COMPARISON SYSTEM PLAST AND COMPETITORS



Chains & sprockets	Wear strips	Side guide brackets & accessories	Levelers
Modular belts & sprockets	Chain & belt return systems	Frame & structure supports	Bearing supports
Curves & tracks	Side guide solutions	Miscellaneous products	Related information

50020a

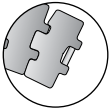
MAGNETIC CURVES FOR CHAINS 879M-880M-881M / K325-K330

RADIUS 500-590-680-750-860-1000 / BASIC WIDTH: 100

www.SystemPlastSmartGuide.com

For general index, go to:

50010a



For stainless steel magnetic chains, type:
881 M - 881 MO

Go to:

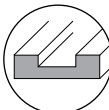
11060a



For plastic magnetic chains, type:
879 M - 880 M

Go to:

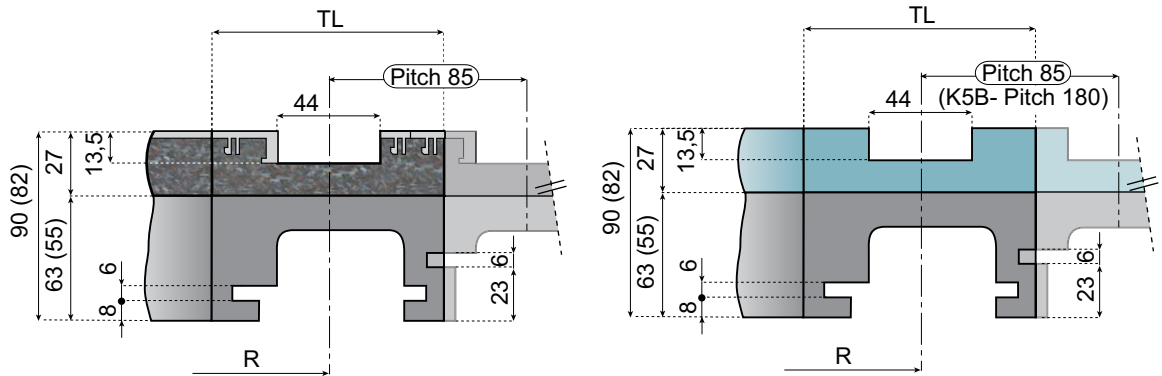
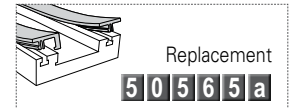
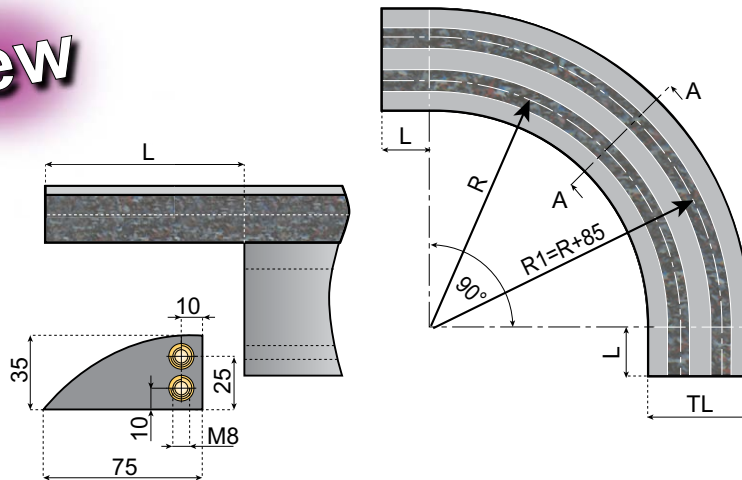
11220a



For straight curve go to:

50140a

New



Dimensions (...) are for 1-Track version series K5A-K5C-K5D-K7-K8 and 2 Track version K5B.

TRACKS NR.	TL	TYPE CURVE	R	L	New TOPTRAC™			STANDARD		
					ITEM DESCRIPTION			ITEM DESCRIPTION		
					30°	45°	90°	30°	45°	90°
					PLATE: K325/K330-WIDTH: 82,5/83,8 mm					
1	100	K7	500	0	TTM03-30-01A	TTM03-45-01A	TTM03-90-01A	KMD03-30-01A	KMD03-45-01A	KMD03-90-01A
2	185				TTM03-30-02A	TTM03-45-02A	TTM03-90-02A	KMD03-30-02A	KMD03-45-02A	KMD03-90-02A
3	270				TTM03-30-03A	TTM03-45-03A	TTM03-90-03A	KMD03-30-03A	KMD03-45-03A	KMD03-90-03A
4	355				TTM03-30-04A	TTM03-45-04A	TTM03-90-04A	KMD03-30-04A	KMD03-45-04A	KMD03-90-04A
5	440				TTM03-30-05A	TTM03-45-05A	TTM03-90-05A	KMD03-30-05A	KMD03-45-05A	KMD03-90-05A
6	525				TTM03-30-06A	TTM03-45-06A	TTM03-90-06A	KMD03-30-06A	KMD03-45-06A	KMD03-90-06A
7	610				TTM03-30-07A	TTM03-45-07A	TTM03-90-07A	KMD03-30-07A	KMD03-45-07A	KMD03-90-07A
8	695				TTM03-30-08A	TTM03-45-08A	TTM03-90-08A	KMD03-30-08A	KMD03-45-08A	KMD03-90-08A
1	100	K6	500	100	TTM03-30-01B	TTM03-45-01B	TTM03-90-01B	KMD03-30-01B	KMD03-45-01B	KMD03-90-01B
2	185				TTM03-30-02B	TTM03-45-02B	TTM03-90-02B	KMD03-30-02B	KMD03-45-02B	KMD03-90-02B
3	270				TTM03-30-03B	TTM03-45-03B	TTM03-90-03B	KMD03-30-03B	KMD03-45-03B	KMD03-90-03B
4	355				TTM03-30-04B	TTM03-45-04B	TTM03-90-04B	KMD03-30-04B	KMD03-45-04B	KMD03-90-04B
5	440				TTM03-30-05B	TTM03-45-05B	TTM03-90-05B	KMD03-30-05B	KMD03-45-05B	KMD03-90-05B
6	525				TTM03-30-06B	TTM03-45-06B	TTM03-90-06B	KMD03-30-06B	KMD03-45-06B	KMD03-90-06B
7	610				TTM03-30-07B	TTM03-45-07B	TTM03-90-07B	KMD03-30-07B	KMD03-45-07B	KMD03-90-07B
8	695				TTM03-30-08B	TTM03-45-08B	TTM03-90-08B	KMD03-30-08B	KMD03-45-08B	KMD03-90-08B
2	280	K5B	590	100	-	-	-	KMD06-30-02B	KMD06-45-02B	KMD06-90-02B
1	100	K5A	680	100	TTM07-30-01B	TTM07-45-01B	TTM07-90-01B	KMD07-30-01B	KMD07-45-01B	KMD07-90-01B
1	100	K8	750	100	TTM08-30-01B	TTM08-45-01B	TTM08-90-01B	KMD08-30-01B	KMD08-45-01B	KMD08-90-01B
1	100	K5C	860	125	TTM09-30-01C	TTM09-45-01C	TTM09-90-01C	KMD09-30-01C	KMD09-45-01C	KMD09-90-01C
1	100	K5D	1000	0	TTM10-30-01A	TTM10-45-01A	TTM10-90-01A	KMD10-30-01A	KMD10-45-01A	KMD10-90-01A

• More tracks and different angles available on request.

Chains & sprockets	Wear strips	Side guide brackets & accessories	Levelers
Modular belts & sprockets	Chain & belt return systems	Frame & structure supports	Bearing supports
Curves & tracks	Side guide solutions	Miscellaneous products	Related information

50030a

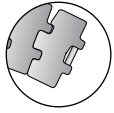
MAGNETIC CURVES FOR CHAINS 879M-880M-881M / K325-K330

RADIUS 500-750-1000 / BASIC WIDTH: 111

For general index, go to:

50010a

New



For stainless steel magnetic chains, type: **881 M - 881 MO**

Go to:

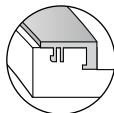
11060a



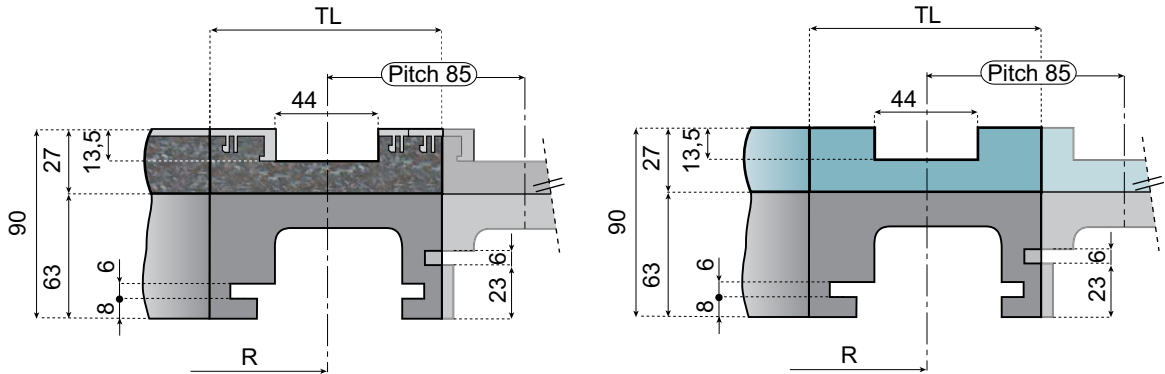
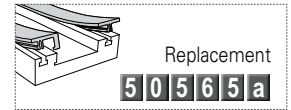
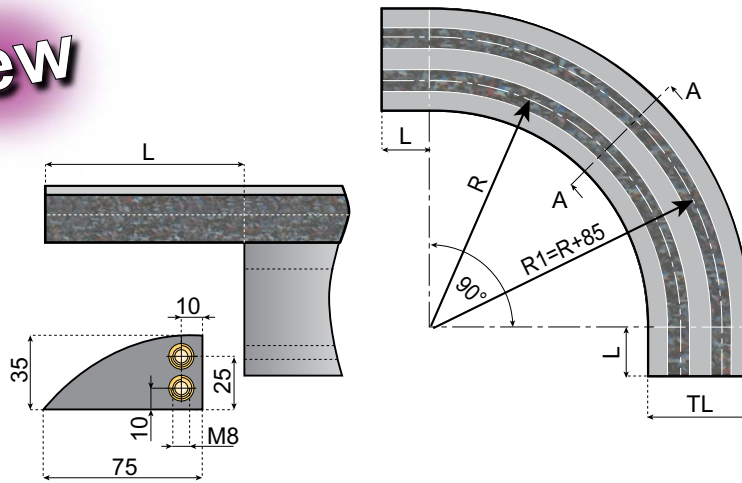
For plastic magnetic chains, type: **879 M - 880 M**

Go to:

11220a



For type curve: **K4 - K42 - K43**



TRACKS NR.	TL	TYPE CURVE	R	L	New TOPTRAC™			STANDARD		
					ITEM DESCRIPTION			ITEM DESCRIPTION		
					30°	45°	90°	30°	45°	90°
					PLATE: K325/K330-WIDTH: 82,5/83,8 mm			PLATE: K325/K330-WIDTH: 82,5/83,8 mm		
1	111	K4	500	100	TTM05-30-01B	TTM05-45-01B	TTM05-90-01B	KMD05-30-01B	KMD05-45-01B	KMD05-90-01B
2	196				TTM05-30-02B	TTM05-45-02B	TTM05-90-02B	KMD05-30-02B	KMD05-45-02B	KMD05-90-02B
3	281				TTM05-30-03B	TTM05-45-03B	TTM05-90-03B	KMD05-30-03B	KMD05-45-03B	KMD05-90-03B
4	366				TTM05-30-04B	TTM05-45-04B	TTM05-90-04B	KMD05-30-04B	KMD05-45-04B	KMD05-90-04B
5	451				TTM05-30-05B	TTM05-45-05B	TTM05-90-05B	KMD05-30-05B	KMD05-45-05B	KMD05-90-05B
6	536				TTM05-30-06B	TTM05-45-06B	TTM05-90-06B	KMD05-30-06B	KMD05-45-06B	KMD05-90-06B
7	621				TTM05-30-07B	TTM05-45-07B	TTM05-90-07B	KMD05-30-07B	KMD05-45-07B	KMD05-90-07B
8	706				TTM05-30-08B	TTM05-45-08B	TTM05-90-08B	KMD05-30-08B	KMD05-45-08B	KMD05-90-08B
1	111	K42	750	100	TTM11-30-01B	TTM11-45-01B	TTM11-90-01B	KMD11-30-01B	KMD11-45-01B	KMD11-90-01B
2	196				TTM11-30-02B	TTM11-45-02B	TTM11-90-02B	KMD11-30-02B	KMD11-45-02B	KMD11-90-02B
3	281				TTM11-30-03B	TTM11-45-03B	TTM11-90-03B	KMD11-30-03B	KMD11-45-03B	KMD11-90-03B
1	111	K43	1000	100	TTM12-30-01B	TTM12-45-01B	TTM12-90-01B	KMD12-30-01B	KMD12-45-01B	KMD12-90-01B

• More tracks and different angles available on request.

Chains & sprockets	Wear strips	Side guide brackets & accessories	Levelers
Modular belts & sprockets	Chain & belt return systems	Frame & structure supports	Bearing supports
Curves & tracks	Side guide solutions	Miscellaneous products	Related information

50050a

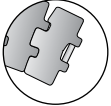
MAGNETIC CURVES FOR CHAINS 879M/880M/881M-K325-330

RADIUS 500-750 / OTHER VERSIONS

For general index, go to:

50010a

New



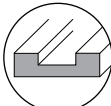
For stainless steel magnetic chains, type: **881 M - 881 MO**, go to:

11060a



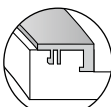
For plastic magnetic chains, type: **879 M - 880 M**, go to:

11220a

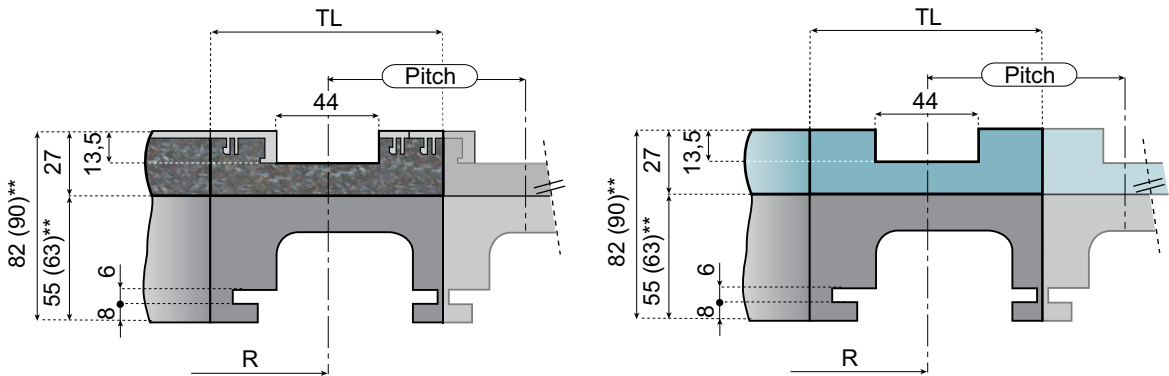
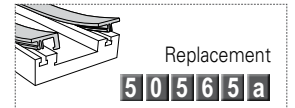
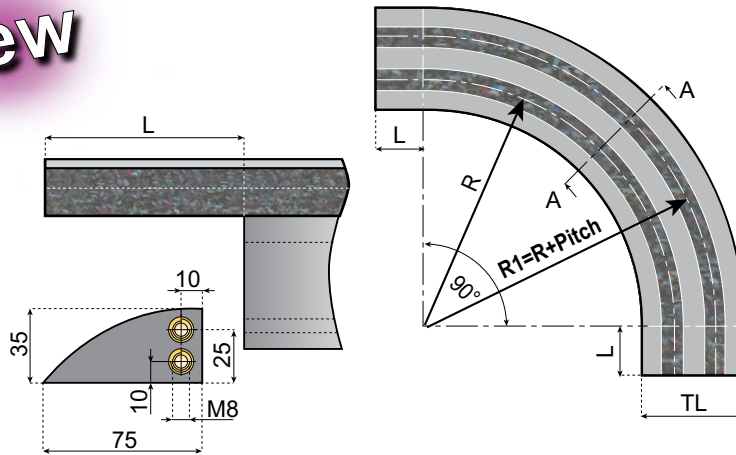


For straight curve go to:

50140a



For type curve: **K3 - K9 - K10**



**Dimensions (...) are for all versions series K10.

TRACKS NR.	TL	TYPE CURVE	R	L	PITCH	New TOPTRAC™			STANDARD		
						ITEM DESCRIPTION			ITEM DESCRIPTION		
						30°	45°	90°	30°	45°	90°
						PLATE: K325/K330-WIDTH: 82,5/83,8 mm					
1	100	K1	500	125	89	TTM01-30-01C	TTM01-45-01C	TTM01-90-01C	KMD01-30-01C	KMD01-45-01C	KMD01-90-01C
2	189					-	-	-	KMD01-30-02C	KMD01-45-02C	KMD01-90-02C
3	278					-	-	-	KMD01-30-03C	KMD01-45-03C	KMD01-90-03C
4	367					-	-	-	KMD01-30-04C	KMD01-45-04C	KMD01-90-04C
5	456					-	-	-	KMD01-30-05C	KMD01-45-05C	KMD01-90-05C
6	545					-	-	-	KMD01-30-06C	KMD01-45-06C	KMD01-90-06C
1	100	K2	500	100	90	TTM02-30-01B	TTM02-45-01B	TTM02-90-01B	KMD02-30-01B	KMD02-45-01B	KMD02-90-01B
2	190					-	-	-	KMD02-30-02B	KMD02-45-02B	KMD02-90-02B
3	280					-	-	-	KMD02-30-03B	KMD02-45-03B	KMD02-90-03B
4	370					-	-	-	KMD02-30-04B	KMD02-45-04B	KMD02-90-04B
5	460					-	-	-	KMD02-30-05B	KMD02-45-05B	KMD02-90-05B
6	550					-	-	-	KMD02-30-06B	KMD02-45-06B	KMD02-90-06B
1	110	K10**	500	100	85	TTM61-30-01B	TTM61-45-01B	TTM61-90-01B	KMD61-30-01B	KMD61-45-01B	KMD61-90-01B
2	195					TTM61-30-02B	TTM61-45-02B	TTM61-90-02B	KMD61-30-02B	KMD61-45-02B	KMD61-90-02B
3	280					TTM61-30-03B	TTM61-45-03B	TTM61-90-03B	KMD61-30-03B	KMD61-45-03B	KMD61-90-03B
4	365					TTM61-30-04B	TTM61-45-04B	TTM61-90-04B	KMD61-30-04B	KMD61-45-04B	KMD61-90-04B
5	450					TTM61-30-05B	TTM61-45-05B	TTM61-90-05B	KMD61-30-05B	KMD61-45-05B	KMD61-90-05B
6	535					TTM61-30-06B	TTM61-45-06B	TTM61-90-06B	KMD61-30-06B	KMD61-45-06B	KMD61-90-06B
7	620					TTM61-30-07B	TTM61-45-07B	TTM61-90-07B	KMD61-30-07B	KMD61-45-07B	KMD61-90-07B
8	705					TTM61-30-08B	TTM61-45-08B	TTM61-90-08B	KMD61-30-08B	KMD61-45-08B	KMD61-90-08B
1	110	K3	500	0	90	TTM04-30-01A	TTM04-45-01A	TTM04-90-01A	KMD04-30-01A	KMD04-45-01A	KMD04-90-01A
2	200					-	-	-	KMD04-30-02A	KMD04-45-02A	KMD04-90-02A
1	110	K9	750	100	90	TTM62-30-01B	TTM62-45-01B	TTM62-90-01B	KMD62-30-01B	KMD62-45-01B	KMD62-90-01B

• More tracks and different angles available on request.

Chains & sprockets	Wear strips	Side guide brackets & accessories	Levelers
Modular belts & sprockets	Chain & belt return systems	Frame & structure supports	Bearing supports
Curves & tracks	Side guide solutions	Miscellaneous products	Related information

5 0 0 7 0 a

MAGNETIC CURVES FOR CHAINS LBP 879M / K325

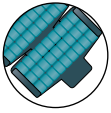
RADIUS 500 / OTHER VERSIONS

www.SystemPlastSmartGuide.com

For general index, go to:

5 0 0 1 0 a

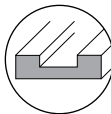
New



For plastic magnetic chains, type: **LBP 879 M**

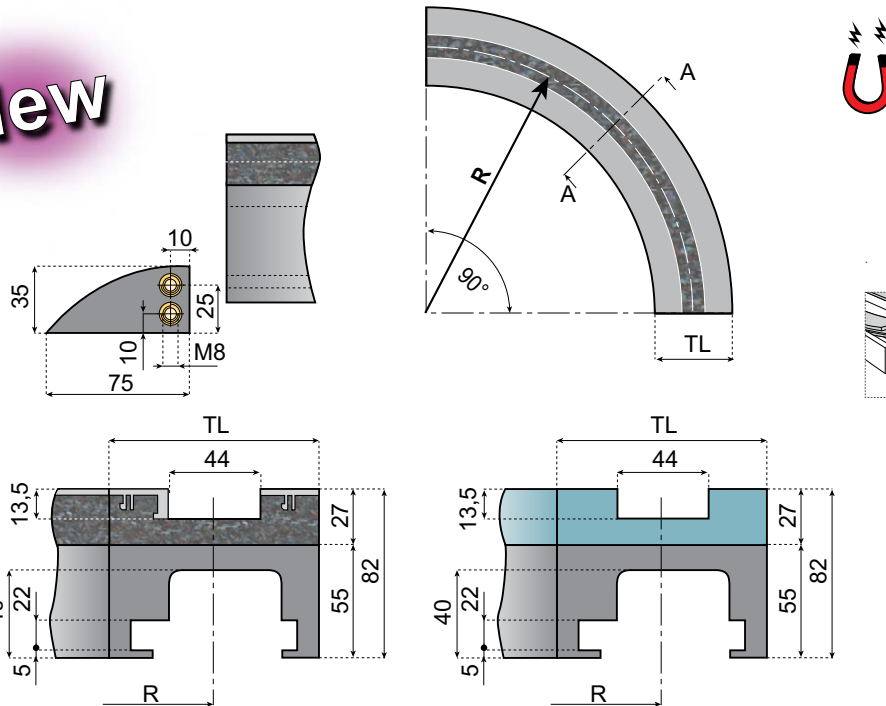
Go to:

1 1 3 5 0 a



For straight curve go to:

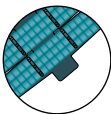
5 0 1 4 0 a



- More tracks and different angles available on request.

TRACKS NR.	TL	TYPE CURVE	R	New TOPTRAC™			STANDARD		
				ITEM DESCRIPTION			ITEM DESCRIPTION		
				30°	45°	90°	30°	45°	90°
PLATE: K325/K330-WIDTH: 82,5/83,8 mm				PLATE: K325/K330-WIDTH: 82,5/83,8 mm					
1	100	LBP68C	500	TTM68-30-01A	TTM68-45-01A	TTM68-90-01A	KMD68-30-01A	KMD68-45-01A	KMD68-90-01A

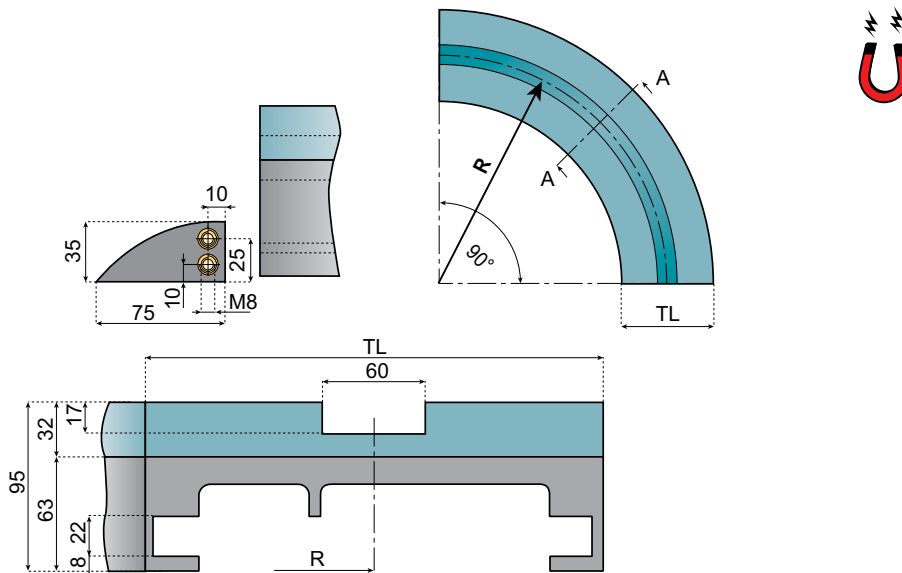
MAGNETIC CURVES FOR CHAIN LBP 882M / K750-1000-1200



For plastic magnetic chains, type: **882M**

Go to:

1 1 3 6 0 a



TRACKS NR.	TL	TYPE CURVE	R	30° ITEM DESCRIPTION	45° ITEM DESCRIPTION	90° ITEM DESCRIPTION
PLATE: K750-WIDTH: 190,5 mm						
1	214	LBP86C	860	KMD71-30-01AC	KMD71-45-01AC	KMD71-90-01AC
PLATE: K1000-WIDTH: 254 mm						
1	270	LBP93C	860	KMD78-30-01AC	KMD78-45-01AC	KMD78-90-01AC
PLATE: K1200-WIDTH: 304,8 mm						
1	320	LBP97C	860	KMD82-30-01AC	KMD82-45-01AC	KMD82-90-01AC

- More tracks and different angles available on request.

Chains & sprockets	Wear strips	Side guide brackets & accessories	Levelers
Modular belts & sprockets	Chain & belt return systems	Frame & structure supports	Bearing supports
Curves & tracks	Side guide solutions	Miscellaneous products	Related information

50091a

MAGNETIC CURVES CHAINBELT 2250M-2260M / K330

RADIUS 500-750-1000

www.SystemPlastSmartGuide.com

For general index, go to:

50010a

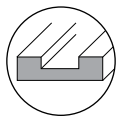
New



For sideflexing chainbelts, type: 2250 M - 2260M

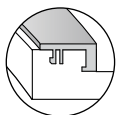
Go to:

30700a

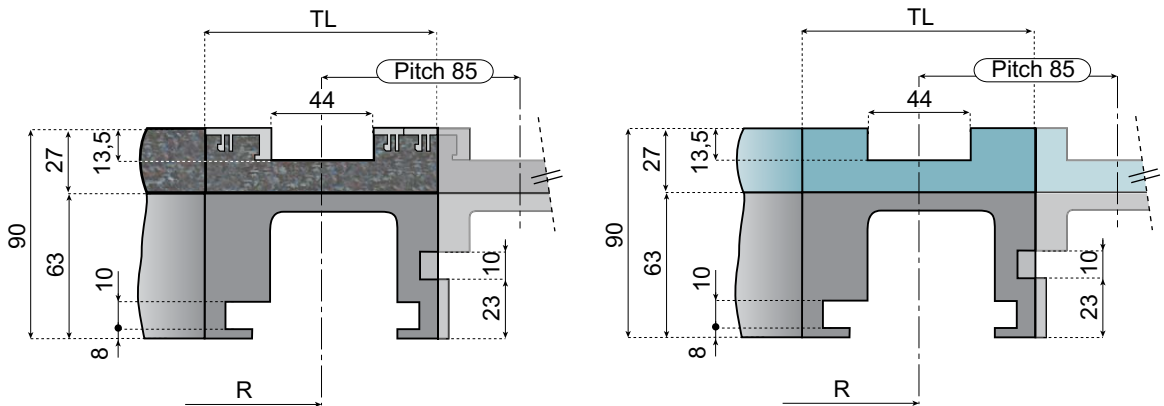
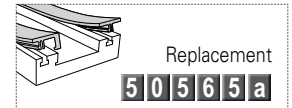
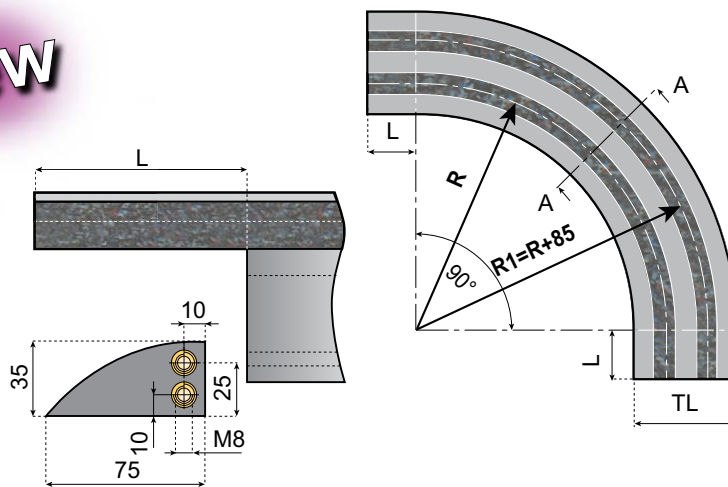


For straight curve go to:

50140a



For type curve: KB4



TRACKS NR.	TL	TYPE CURVE	R	L	New TOPTRAC™			STANDARD		
					ITEM DESCRIPTION			ITEM DESCRIPTION		
					30°	45°	90°	30°	45°	90°
					PLATE: K330-WIDTH: 83,8 mm P=85			PLATE: K330-WIDTH: 83,8 mm P=85		
1	100	KB7	500	0	TTM90-30-01A	TTM90-45-01A	TTM90-90-01A	KMD90-30-01A	KMD90-45-01A	KMD90-90-01A
2	185				TTM90-30-02A	TTM90-45-02A	TTM90-90-02A	KMD90-30-02A	KMD90-45-02A	KMD90-90-02A
3	270				TTM90-30-03A	TTM90-45-03A	TTM90-90-03A	KMD90-30-03A	KMD90-45-03A	KMD90-90-03A
4	355				TTM90-30-04A	TTM90-45-04A	TTM90-90-04A	KMD90-30-04A	KMD90-45-04A	KMD90-90-04A
5	440				TTM90-30-05A	TTM90-45-05A	TTM90-90-05A	KMD90-30-05A	KMD90-45-05A	KMD90-90-05A
6	525				TTM90-30-06A	TTM90-45-06A	TTM90-90-06A	KMD90-30-06A	KMD90-45-06A	KMD90-90-06A
1	100	KB6	500	100	TTM91-30-01B	TTM91-45-01B	TTM91-90-01B	KMD91-30-01B	KMD91-45-01B	KMD91-90-01B
2	185				TTM91-30-02B	TTM91-45-02B	TTM91-90-02B	KMD91-30-02B	KMD91-45-02B	KMD91-90-02B
3	270				TTM91-30-03B	TTM91-45-03B	TTM91-90-03B	KMD91-30-03B	KMD91-45-03B	KMD91-90-03B
4	355				TTM91-30-04B	TTM91-45-04B	TTM91-90-04B	KMD91-30-04B	KMD91-45-04B	KMD91-90-04B
5	440				TTM91-30-05B	TTM91-45-05B	TTM91-90-05B	KMD91-30-05B	KMD91-45-05B	KMD91-90-05B
6	525				TTM91-30-06B	TTM91-45-06B	TTM91-90-06B	KMD91-30-06B	KMD91-45-06B	KMD91-90-06B
7	610				TTM91-30-07B	TTM91-45-07B	TTM91-90-07B	KMD91-30-07B	KMD91-45-07B	KMD91-90-07B
8	695				TTM91-30-08B	TTM91-45-08B	TTM91-90-08B	KMD91-30-08B	KMD91-45-08B	KMD91-90-08B
1	100	KB8	750	100	TTM93-30-01B	TTM93-45-01B	TTM93-90-01B	KMD93-30-01B	KMD93-45-01B	KMD93-90-01B
2	185				TTM93-30-02B	TTM93-45-02B	TTM93-90-02B	KMD93-30-02B	KMD93-45-02B	KMD93-90-02B
1	111	KB4	500	100	TTM92-30-01B	TTM92-45-01B	TTM92-90-01B	KMD92-30-01B	KMD92-45-01B	KMD92-90-01B
2	196				TTM92-30-02B	TTM92-45-02B	TTM92-90-02B	KMD92-30-02B	KMD92-45-02B	KMD92-90-02B
3	281				TTM92-30-03B	TTM92-45-03B	TTM92-90-03B	KMD92-30-03B	KMD92-45-03B	KMD92-90-03B
4	366				TTM92-30-04B	TTM92-45-04B	TTM92-90-04B	KMD92-30-04B	KMD92-45-04B	KMD92-90-04B
1	100	KB5D	1000	100	TTM96-30-01A	TTM96-45-01A	TTM96-90-01A	KMD96-30-01A	KMD96-45-01A	KMD96-90-01A

• More tracks and different angles available on request.

Chains & sprockets	Wear strips	Side guide brackets & accessories	Levelers
Modular belts & sprockets	Chain & belt return systems	Frame & structure supports	Bearing supports
Curves & tracks	Side guide solutions	Miscellaneous products	Related information

50101a

MAGNETIC CURVES FOR CHAINBELT 2251M / K330-450

RADIUS 500-610-750-1000 / BASIC WIDTH: 100, 111 AND 129

For general index, go to:

50010a

New

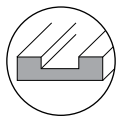


For sideflexing chainbelts, type:

2251 M

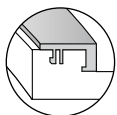
Go to:

30700a



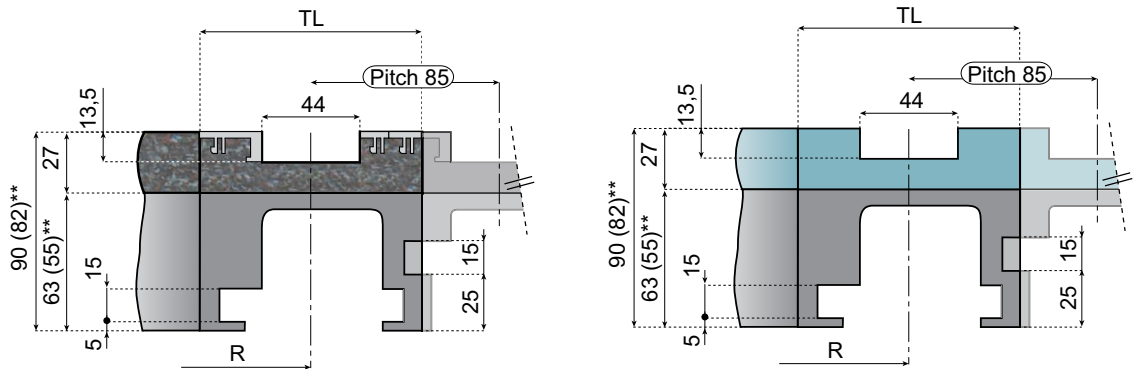
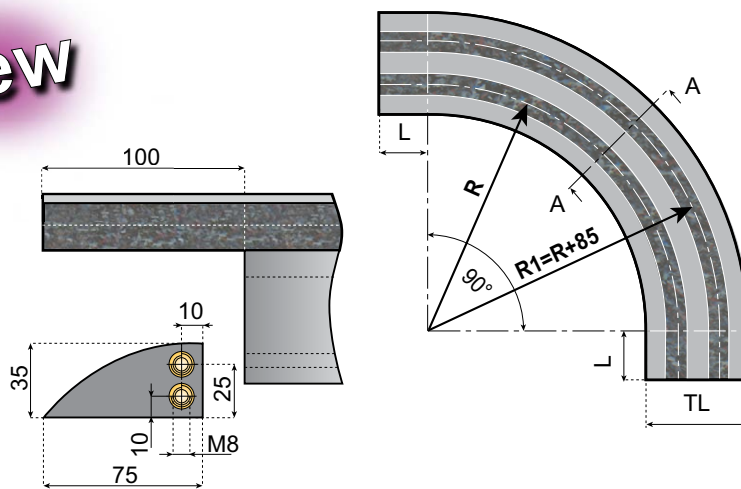
For straight curve go to:

50140a



For type curve:

KC4



**Dimensions (...) are valid for the 1 Track version of curve type KC7.

TRACKS NR.	TL	TYPE CURVE	R	L	New TOPTRAC™			STANDARD		
					ITEM DESCRIPTION			ITEM DESCRIPTION		
					30°	45°	90°	30°	45°	90°
					PLATE: K330-WIDTH: 83,8 mm					
1	100	KC7**	500	0	TTM84-30-01A	TTM84-45-01A	TTM84-90-01A	KMD84-30-01A	KMD84-45-01A	KMD84-90-01A
2	185				TTM84-30-02A	TTM84-45-02A	TTM84-90-02A	KMD84-30-02A	KMD84-45-02A	KMD84-90-02A
3	270				TTM84-30-03A	TTM84-45-03A	TTM84-90-03A	KMD84-30-03A	KMD84-45-03A	KMD84-90-03A
4	355				TTM84-30-04A	TTM84-45-04A	TTM84-90-04A	KMD84-30-04A	KMD84-45-04A	KMD84-90-04A
5	440				TTM84-30-05A	TTM84-45-05A	TTM84-90-05A	KMD84-30-05A	KMD84-45-05A	KMD84-90-05A
6	525				TTM84-30-06A	TTM84-45-06A	TTM84-90-06A	KMD84-30-06A	KMD84-45-06A	KMD84-90-06A
7	610				TTM84-30-07A	TTM84-45-07A	TTM84-90-07A	KMD84-30-07A	KMD84-45-07A	KMD84-90-07A
8	695				TTM84-30-08A	TTM84-45-08A	TTM84-90-08A	KMD84-30-08A	KMD84-45-08A	KMD84-90-08A
					PLATE: K330-WIDTH: 83,8 mm					
1	100	KC6	500	100	TTM85-30-01B	TTM85-45-01B	TTM85-90-01B	KMD85-30-01B	KMD85-45-01B	KMD85-90-01B
2	185				TTM85-30-02B	TTM85-45-02B	TTM85-90-02B	KMD85-30-02B	KMD85-45-02B	KMD85-90-02B
3	270				TTM85-30-03B	TTM85-45-03B	TTM85-90-03B	KMD85-30-03B	KMD85-45-03B	KMD85-90-03B
4	355				TTM85-30-04B	TTM85-45-04B	TTM85-90-04B	KMD85-30-04B	KMD85-45-04B	KMD85-90-04B
5	440				TTM85-30-05B	TTM85-45-05B	TTM85-90-05B	KMD85-30-05B	KMD85-45-05B	KMD85-90-05B
6	525				TTM85-30-06B	TTM85-45-06B	TTM85-90-06B	KMD85-30-06B	KMD85-45-06B	KMD85-90-06B
					PLATE: K330-WIDTH: 83,8 mm					
1	111	KC4	500	100	TTM86-30-01B	TTM86-45-01B	TTM86-90-01B	KMD86-30-01B	KMD86-45-01B	KMD86-90-01B
2	196				TTM86-30-02B	TTM86-45-02B	TTM86-90-02B	KMD86-30-02B	KMD86-45-02B	KMD86-90-02B
3	281				TTM86-30-03B	TTM86-45-03B	TTM86-90-03B	KMD86-30-03B	KMD86-45-03B	KMD86-90-03B
4	366				TTM86-30-04B	TTM86-45-04B	TTM86-90-04B	KMD86-30-04B	KMD86-45-04B	KMD86-90-04B
5	451				TTM86-30-05B	TTM86-45-05B	TTM86-90-05B	KMD86-30-05B	KMD86-45-05B	KMD86-90-05B
6	536				TTM86-30-06B	TTM86-45-06B	TTM86-90-06B	KMD86-30-06B	KMD86-45-06B	KMD86-90-06B
					PLATE: K330-WIDTH: 83,8 mm					
1	100	KC8	750	100	TTM87-30-01B	TTM87-45-01B	TTM87-90-01B	KMD87-30-01B	KMD87-45-01B	KMD87-90-01B
					PLATE: K330-WIDTH: 83,8 mm					
1	100	KC5D	1000	100	TTM97-30-01A	TTM97-45-01A	TTM97-90-01A	KMD97-30-01A	KMD97-45-01A	KMD97-90-01A
					PLATE: K450-WIDTH: 114,3 mm					
1	129	KC22	500	100	-	-	-	KMD64-30-01B	KMD64-45-01B	KMD64-90-01B
					PLATE: K450-WIDTH: 114,3 mm					
1	129	KC27	610	100	-	-	-	KMD66-30-01B	KMD66-45-01B	KMD66-90-01B
2	246				-	-	-	KMD66-30-02B	KMD66-45-02B	KMD66-90-02B

• More tracks and different angles available on request.

Chains & sprockets	Wear strips	Side guide brackets & accessories	Levelers
Modular belts & sprockets	Chain & belt return systems	Frame & structure supports	Bearing supports
Curves & tracks	Side guide solutions	Miscellaneous products	Related information

50565a

TOPTRAC™ WEAR STRIPS

www.SystemPlastSmartGuide.com

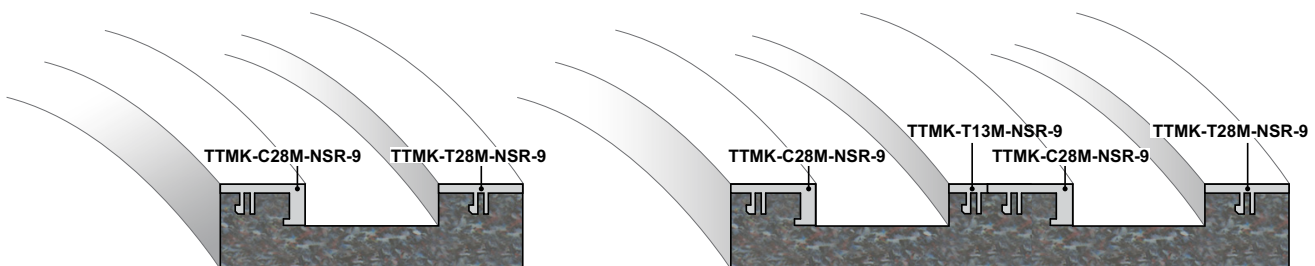
New

	NOLU®-SR		
	ITEM DESCRIPTION		
	TTMK-C28M-NSR-9	8,10 m (3x2,7m)	2,70 m
	TTMK-T28M-NSR-9	8,10 m (3x2,7m)	2,70 m
	TTMK-T13M-NSR-9	8,10 m (3x2,7m)	2,70 m

TOPTRAC™
Curve pages:
879M-880M-881M
50020a
50030a
50050a
LBP 879M-LBP 882M
50070a
2250M-2260M
50091a
2251M
50101a
 Concept:
50006a

SINGLE TRACK

MULTI TRACK



CUTTER FOR PLASTIC PROFILES

Oblique pliers: suitable for cutting plastic profiles with flat side walls
Cutting range: max cutting length 110 mm; max cutting capacity 4 mm
Weight: 540 g
Pliers length: 275 mm



ITEM DESCRIPTION
SCR-TTM-110

SYSTEM PLAST™

Regal Power Transmission Solutions

Via Guareschi, 2
Telgate, 24060
Customer Service: 035-83-51-301
Fax: 035-83-51-399

www.RegalPTS.com



Litex AB
Sporregatan 25
21377 Malmö
Tel. 040-214120
info@litex.se
www.litex.se

APPLICATION CONSIDERATIONS

The proper selection and application of power transmission products and components, including the related area of product safety, is the responsibility of the customer. Operating and performance requirements and potential associated issues will vary appreciably depending upon the use and application of such products and components. The scope of the technical and application information included in this publication is necessarily limited. Unusual operating environments and conditions, lubrication requirements, loading supports, and other factors can materially affect the application and operating results of the products and components and the customer should carefully review its requirements. Any technical advice or review furnished by Regal Beloit America, Inc. and its affiliates with respect to the use of products and components is given in good faith and without charge, and Regal assumes no obligation or liability for the advice given, or results obtained, all such advice and review being given and accepted at customer's risk.

For a copy of our Standard Terms and Conditions of Sale, Disclaimers of Warranty, Limitation of Liability and Remedy, please contact Customer Service at 1-800-626-2120. These terms and conditions of sale, disclaimers and limitations of liability apply to any person who may buy, acquire or use a Regal Beloit America Inc. product referred to herein, including any person who buys from a licensed distributor of these branded products.

Regal, Nolu and System Plast are trademarks of Regal Beloit Corporation or one of its affiliated companies.
©2016 Regal Beloit Corporation, All Rights Reserved. MCB16090E • Form# 10077E • Printed in Italy

