

2120RF AND 2250RF ROLLER FLOW BELTS

PITCH: 1/2" - 12,7mm; 1" - 25,4mm



APPLICATION:

- Corrugated industry
- General material handling
- Logistic centers
- Distribution centers
- Food and beverage: products packed in trays and boxes

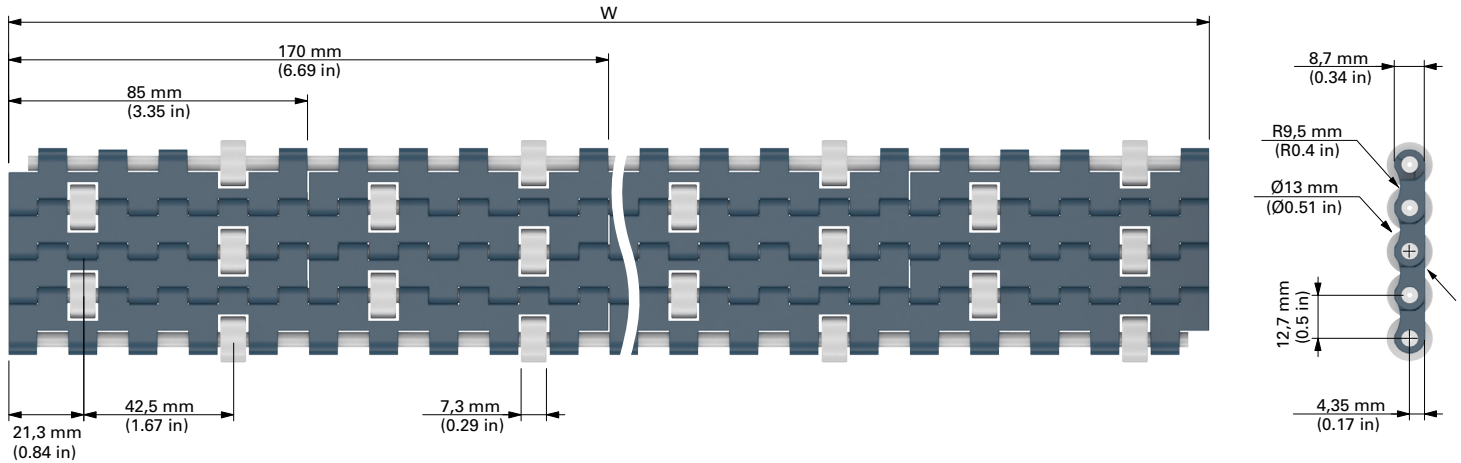
FEATURES

- Reduces backline pressure
- 2120 version offers shortest transfer possible
- Smooth product handling
- Improved safety due to closed surface
- Fits regular conveyor constructions
- Runs on standard available sprockets
- Light weight low backline pressure solution



- Longest life
- Lowest friction
- Good chemical resistance
- High abrasion resistance
- Approved for direct food contact
- Less dust than with acetal belts

2120RF ROLLER FLOW BELT

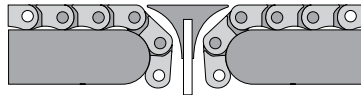


Back flex radius: 10mm (0.39in)
Max load capacity (NGE): 8.000N/m (550lbs/ft.)
Weight: 8,6kg/m² (1.75lbs/ft.²)
Pin material: PBT (white)
Roller material: POM (white)
Standard length:
 width ≤ 340mm (13.39in): 3,05m (10ft.)
 width > 340mm (13.39in) ≤ 1700mm (66.93in): 1,52m (5ft.)
 width > 1700mm (66.93in): on request



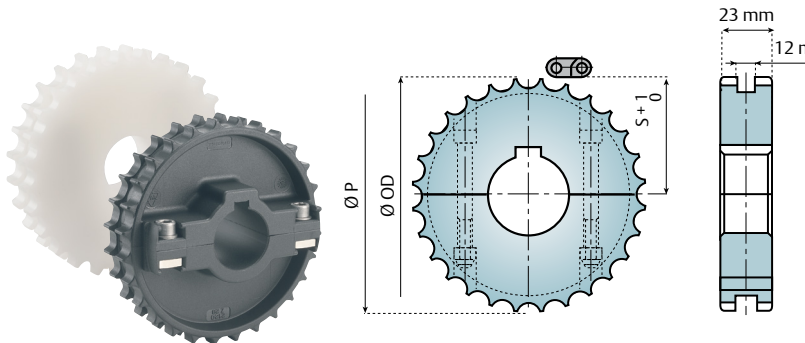
- Longest life
- Lowest friction
- Good chemical resistance
- High abrasion resistance
- Approved for direct food contact
- Less dust than with acetal belts

Can be used with a Nose Bar to create extremely short transfers.



page code: **3 0 1 7 5 a**

Width W		Item Description
mm	in	NGE (GreyBlue)
85	3.35	NGE2120RF-M0085
170	6.69	NGE2120RF-M0170
255	10.04	NGE2120RF-M0255
340	13.39	NGE2120RF-M0340
425	16.73	NGE2120RF-M0425
510	20.08	NGE2120RF-M0510
595	23.43	NGE2120RF-M0595
680	26.77	NGE2120RF-M0680
765	30.12	NGE2120RF-M0765
850	33.46	NGE2120RF-M0850
935	36.81	NGE2120RF-M0935
1020	40.16	NGE2120RF-M1020
1105	43.50	NGE2120RF-M1105
1190	46.85	NGE2120RF-M1190
1275	50.20	NGE2120RF-M1275
1360	53.54	NGE2120RF-M1360



Z	Ø OD		Ø P		S	
	mm	in	mm	in	mm	in
14	56.9	2.24	57.1	2.25	24.3	0.96
16	65.2	2.57	65.1	2.56	28.2	1.11
20	81.2	3.20	81.2	3.20	36.3	1.43
24	99.3	3.91	97.3	3.83	44.3	1.74
28	115.4	4.54	113.4	4.46	52.4	2.06
36	147.7	5.81	145.7	5.74	68.5	2.70
38	155.8	6.13	153.8	6.06	72.6	2.86
40	163.9	6.45	161.9	6.37	76.6	3.02

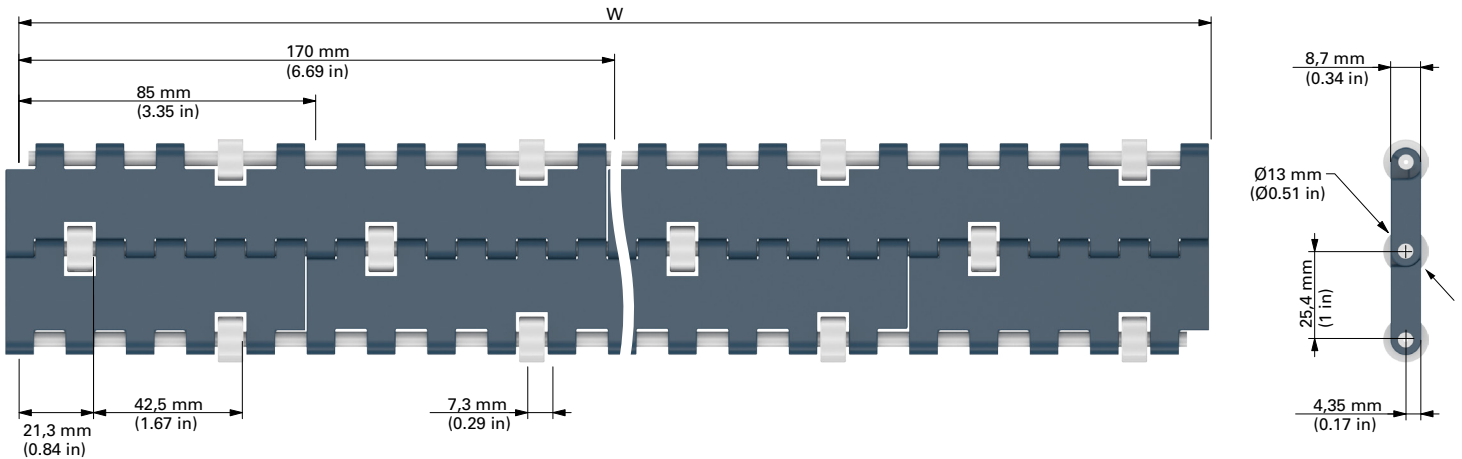
For details about these sprockets please go to www.SystemPlastSmartGuide.com.

page code:

3 0 1 6 0 a **3 0 1 6 0 b**



2250RF ROLLER FLOW BELT



Back flex radius: 25mm (1in)

Max load capacity (NGE): 10.000N/m (700lbs/ft.)

Weight: 7,4kg/m² (1.50lbs/ft².)

Pin material: PBT (white)

Roller material: POM (white)

Standard length:

width ≤ 340mm (13.39in): 3,05m (10ft.)

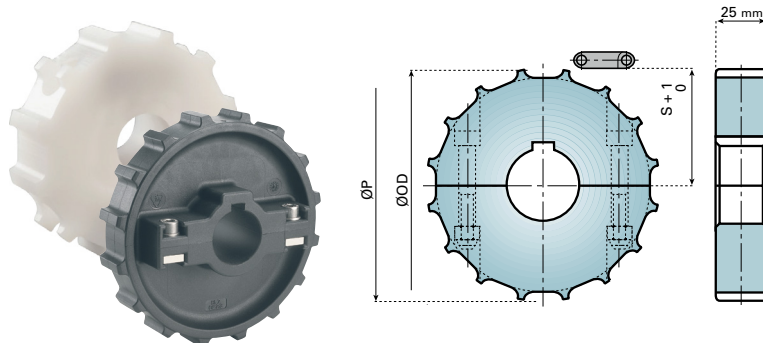
width > 340mm (13.39in) ≤ 1700mm (66.93in): 1,52m (5ft.)

width > 1700mm (66.93in): on request



- Longest life
- Lowest friction
- Good chemical resistance
- High abrasion resistance
- Approved for direct food contact
- Less dust than with acetal belts

Width W		Item Description
mm	in	NGE (GreyBlue)
85	3.35	NGE2250RF-M0085
170	6.69	NGE2250RF-M0170
255	10.04	NGE2250RF-M0255
340	13.39	NGE2250RF-M0340
425	16.73	NGE2250RF-M0425
510	20.08	NGE2250RF-M0510
595	23.43	NGE2250RF-M0595
680	26.77	NGE2250RF-M0680
765	30.12	NGE2250RF-M0765
850	33.46	NGE2250RF-M0850
935	36.81	NGE2250RF-M0935
1020	40.16	NGE2250RF-M1020
1105	43.50	NGE2250RF-M1105
1190	46.85	NGE2250RF-M1190
1275	50.20	NGE2250RF-M1275
1360	53.54	NGE2250RF-M1360

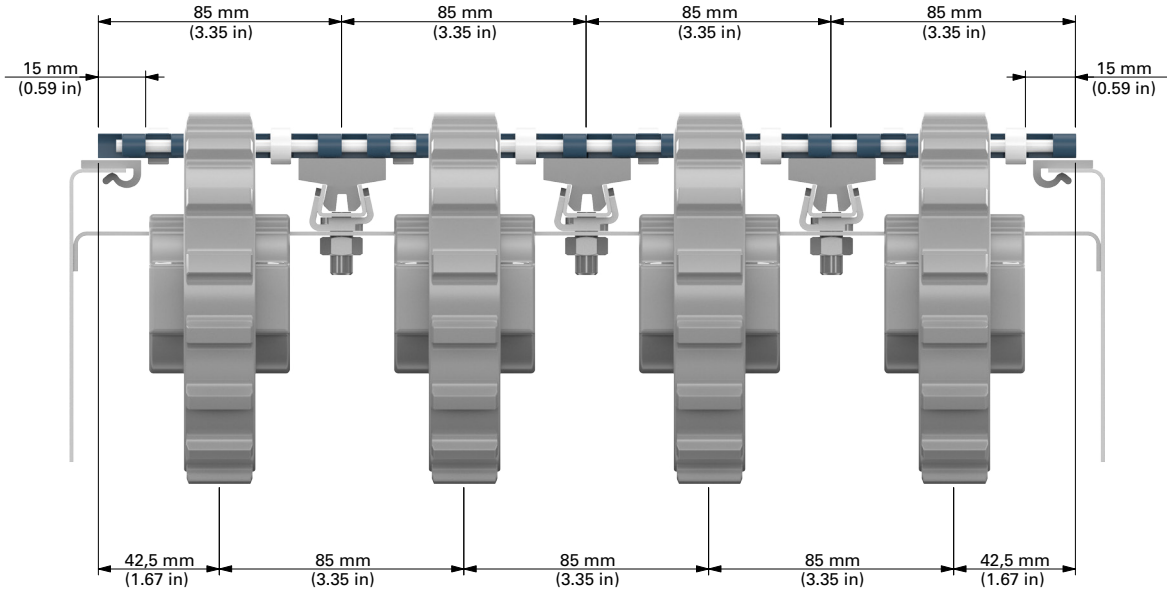


Z	Ø OD		Ø P		S	
	mm	in	mm	in	mm	in
12	98	3.86	98.14	3.86	44.7	1.76
14	114	4.49	114.18	4.50	52.7	2.07
16	130	5.12	130.2	5.13	60.7	2.39
18	146	5.75	146.27	5.76	68.8	2.71
20	162	6.38	162.37	6.39	76.8	3.02

For details about these sprockets please go to www.SystemPlastSmartGuide.com
page code:

30395a 30395b





For details about these wearstrips go to www.SystemPlastSmartGuide.com page code:

50520a

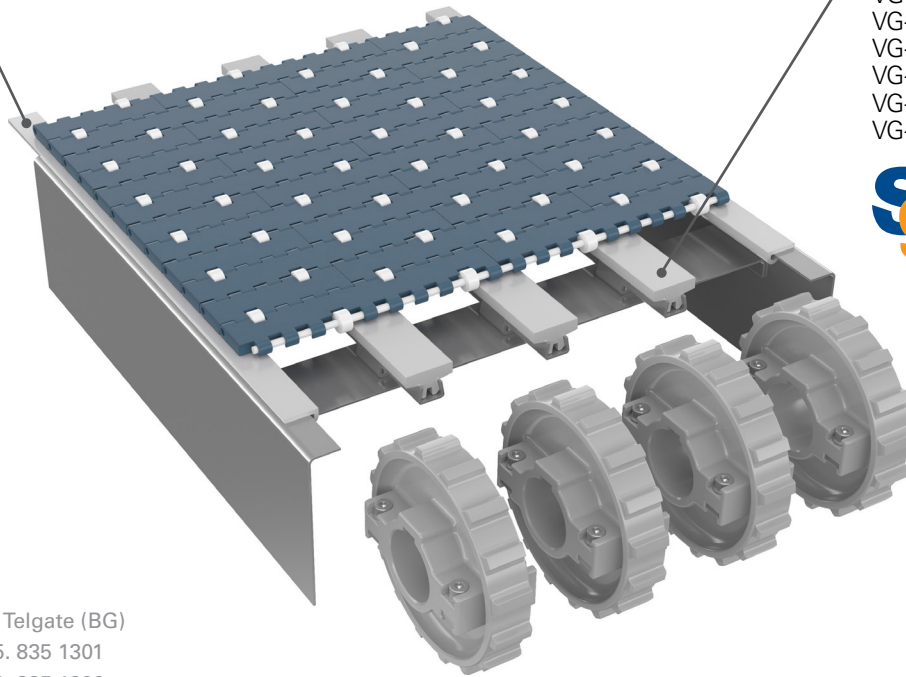
Codes:
 VG-J21M-G-200
 VG-J21M-B-200
 VG-J21M-NS-200



For details about these wearstrips go to www.SystemPlastSmartGuide.com page code:

51520b

Codes:
 VG-LSSWF-1.25
 VG-LSST-1.25
 VG-LSST-1.25-N
 VG-LSST-1.25-S
 VG-LGST-1.25
 VG-LSST-1.25



SYSTEM PLAST™

System Plast S.R.L.

Via Guareschi, nr. 2, 24060 Telgate (BG)
 Customer Service: +39 035. 835 1301
 Fax: +39 053. 835 1399
 E-mail: info@systemplast.com
www.RegalPTS.com

APPLICATION CONSIDERATIONS

The proper selection and application of power transmission products and components, including the related area of product safety, is the responsibility of the customer. Operating and performance requirements and potential associated issues will vary appreciably depending upon the use and application of such products and components. The scope of the technical and application information included in this publication is necessarily limited. Unusual operating environments and conditions, lubrication requirements, loading supports, and other factors can materially affect the application and operating results of the products and components and the customer should carefully review its requirements. Any technical advice or review furnished by Regal Beloit America, Inc. and its affiliates with respect to the use of products and components is given in good faith and without charge, and Regal assumes no obligation or liability for the advice given, or results obtained, all such advice and review being given and accepted at customer's risk.

For a copy of our Standard Terms and Conditions of Sale, Disclaimers of Warranty, Limitation of Liability and Remedy, please contact Customer Service at 1-800-626-2120. These terms and conditions of sale, disclaimers and limitations of liability apply to any person who may buy, acquire or use a Regal Beloit America Inc. product referred to herein, including any person who buys from a licensed distributor of these branded products.

Regal, NG and System Plast are trademarks of Regal Beloit Corporation or one of its affiliated companies.
 ©2016, Regal Beloit Corporation, All Rights Reserved. MCB16078E • 9971E



Litex AB
 Sporregatan 25 SE-21377 Malmö
 040-214120 info@litex.se
www.litex.se